

# Shower Rose

## Five Function



### Shenzhen ERS Technology

Factory Add: C209, Baohusen International Center, Qianjin Second Road, Xixiang Town, Bao'an District, Shenzhen, China  
Warehouse Add: 4-6 Kinder St campbellfield vic3061 Australia

Tel: 048 470 3010  
Email: [info@erstech.com.au](mailto:info@erstech.com.au)



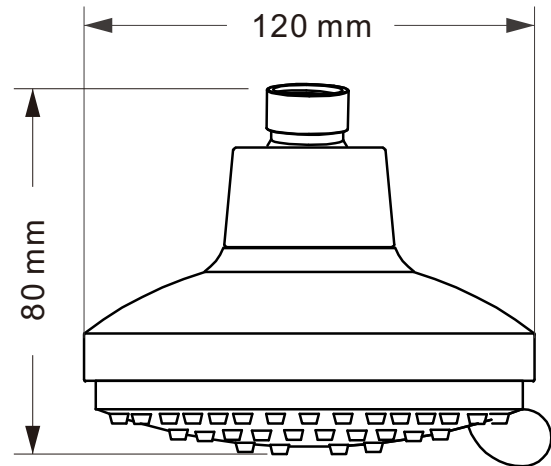
Victorian Energy Upgrades



**Low Flow Shower Rose**

## SPECIFICATIONS

Product Code	ERS-S06
Efficiency	Wels Rating 4
Flow Rate	7.5 Litres/minute
Finish	Face Plating
Shower Spray Holes	72pcs
Nozzles	Anti-Limestone
Size	Ø120mmx80mm



## ACCESSORIES AVAILABLE

Arm(S01)		Arm(A01)		Arm(A02)	
Product code	ERS-S01	Product code	ERS-A01	Product code	ERS-A02
Size	11 inch	Materials	Stainless Steel	Materials	Stainless Steel
Rotation	360°	Craft	Plating	Craft	Plating
Connector	Brass	Diameter	20mm	Diameter	20mm



## Shenzhen ERS Technology

Factory Add: C209, Baohuasen International Center, Qianjin Second Road, Xixiang Town, Bao'an District, Shenzhen, China  
Warehouse Add: 4-6 Kinder St campbellfield vic3061 Australia

Tel: 048 470 3010  
Email: info@erstech.com.au



Victorian  
Energy  
Upgrades



WATER RATING  
www.waterrating.gov.au  
7.5 litres per minute

**Low Flow Shower Rose**

## LED MANUAL INSTRUCTION

### INSTALLATION OF YOUR NEW Shower Arm

This project guide will show you how to install your new Shower Arm. When unscrewing the old shower head be careful not to apply so much torque that it damages the plumbing in your walls. Also, you can protect the finish on your shower arm by wrapping the jaws of your pliers and wrenches with electrical or duct tape.

### Tools Required



Shower Head (model may vary)



Wrench and or pliers

### PREPARATION AND SAFETY

- ❶ Block the drain opening with a cloth to prevent parts from falling into the drain
- ❷ Place a blanket in the tub to protect it from dropped tools.



Teflon Tape



Shower Arm extender

**STEP 1: Remove the old shower head:** Uninstall shower head from shower arm. Clean any debris off the male threads and ensure any washers from the shower head are not remaining.

**STEP 2: Wrap the threads:** Apply included Teflon tape around male end of shower arm. Ensure that male tip has at least 3 to 4 layers of tape.



### STEP 3: Installing the shower arm Extender

- ❶ After installing washer on female end of the extender, screw the extender onto shower arm by hand. Tighten the extender by hand completely. Use a wrench to further tighten and ensure alignment with shower arm. the extender should be pointing straight up/down.
- ❷ Reinstall shower head onto extender. Use Teflon tape and shower head washer. Tighten by hand completely. Use wrench to ensure snug fit as needed.
- ❸ Adjust both knobs on extender to desired height and angle. Turn on shower and check for leaks. Tighten any connections with wrench if necessary to stop leaks.

(Note: Please DO NOT overtighten as this may cause washer to bend and be pushed into shower arm. Use plumber? a tape ONLY on shower arm thread if washer falls to stop leakage.)

## Shenzhen ERS Technology

Factory Add: C209, Baohuasen International Center, Qianjin Second Road, Xixiang Town, Bao'an District, Shenzhen, China  
Warehouse Add: 4-6 Kinder St campbellfield vic3061 Australia

Tel: 048 470 3010

Email: info@erstech.com.au

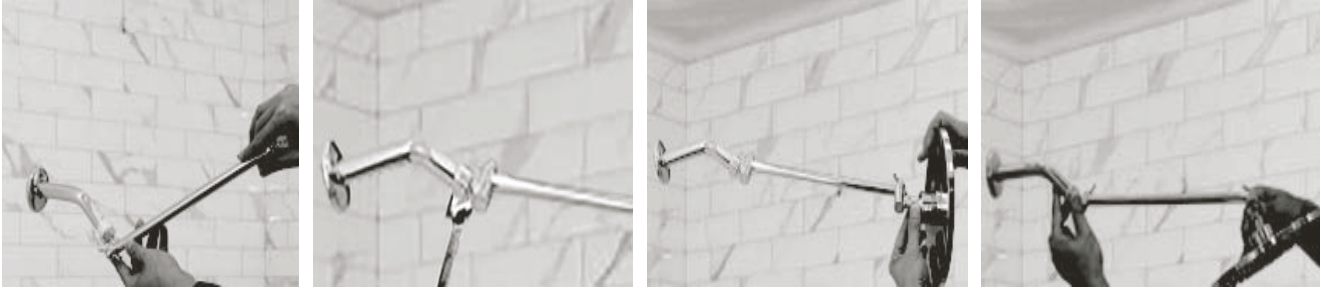


Victorian Energy Upgrades



WATER RATING  
www.waterrating.gov.au  
7.5 litres per minute

**Low Flow Shower Rose**



**CHANGING THE ANGLE OF SHOWER ARM EXTENDER**



STEP 1: Swivel the handle make it loose.



STEP 2: Pull out the thread part a little, like the photo show directly, please don't put too much forth for pull, when it have gap will be ok.



STEP 3: Change the angle what you want.



STEP 4: Swivel tighten by the handle.

**Shenzhen ERS Technology**

Factory Add: C209, Baohuasen International Center, Qianjin Second Road, Xixiang Town, Bao'an District, Shenzhen, China  
Warehouse Add: 4-6 Kinder St campbellfield vic3061 Australia

Tel: 048 470 3010  
Email: info@erstech.com.au



Victorian Energy Upgrades



**Low Flow Shower Rose**