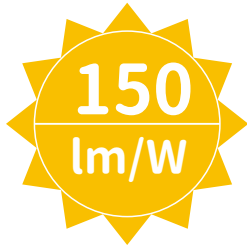


LED Emergency Batten Light with Sensor



Motion+daylight sensor
Detection area: 2.5-4 metres
Hold on time: 10s/1min/5min/30min
With remote control

Shenzhen ERS Technology

Factory Add: C209, Baohuasen International Center, Qianjin Second Road, Xixiang Town, Bao'an District, Shenzhen, China
Warehouse Add: 57 Tarnard Dr, Braeside VIC 3195

Tel: 048 470 3010
Email: info@erstech.com.au



IPART
Independent Pricing and Regulatory Tribunal
New South Wales



LM-80 TM 21 LM 79
ISTMT LCP



Victorian
Energy
Upgrades



ESSENTIAL SERVICES COMMISSION

APPLICATION

Indoor lighting,with IP42, it can be used at supper market, family mart, corridor, parking lots, factory, warehouse, school, hospital, public building, metro station, train station, airport terminal and etc



SPECIFICATIONS

Item No.	ERS-AU12W60ES	ERS-AU20W60ES	ERS-AU12W120ES	ERS-AU14W120ES	ERS-AU16W120ES	ERS-AU18W120ES
Product Size (mm)	700X83X72	700X83X72	1170X83X72	1170X83X72	1170X83X72	1170X83X72
Power	12W	20W	12W	14W	16W	18W
Emergency Power And Time	4W 120min					
Input Voltage	AC220-240V,50Hz					
Efficiency	150lm/w					
Sensor	Daylight & Microwave Motion Sensor, Sensing distance 2.5-4m					
Dimmable	PWM					
Driver Brand	ERS Element non-isolated driver 3 years warranty					
LED Type	SMD 2835					
CCT	2700-6500K					
CRI	Ra > 80					
Power Factor	> 0.9					
Beam Angle	120°					
IP Rating	IP 42					
Warranty	3 years					
Working Temp	-20~50°C					
Lamp Body Material	PC+SPCC					

Shenzhen ERS Technology

Factory Add: C209, Baohuasen International Center, Qianjin Second Road, Xixiang Town, Bao'an District, Shenzhen, China
Warehouse Add: 57 Tarnard Dr, Braeside VIC 3195

Tel: 048 470 3010

Email: info@erstech.com.au



IPART
Independent Pricing and Regulatory Tribunal
New South Wales



Victorian
Energy
Upgrades



LM-80 TM 21 LM 79
ISTMT LCP



Item No.	ERS-AU24W120ES	ERS-AU36W120ES	ERS-AU40W120ES	ERS-AU48W150ES	ERS-AU50W150ES	ERS-AU54W150ES
Product Size (mm)	1170X83X72	1170X83X72	1170X83X72	1470X83X72	1470X83X72	1470X83X72
Power	24W	36W	40W	48W	50W	54W
Emergency Power And Time	4W 120min					
Input Voltage	AC220-240V,50Hz					
Efficiency	150lm/w					
Sensor	Daylight & Microwave Motion Sensor, Sensing distance 3-5m					
Dimmable	PWM					
Driver Brand	ERS Element non-isolated driver 3 years warranty					
LED Type	SMD 2835					
CCT	2700-6500K					
CRI	Ra > 80					
Power Factor	> 0.9					
Beam Angle	120°					
IP Rating	IP 42					
Warranty	3 years					
Working Temp	-20~50°C					
Lamp Body Material	PC+SPCC					

PACKING

Item No.	ERS-AU12/20W60ES	ERS-AU12/14/16/18/24/36W120ES	ERS-AU48/50/54W150ES
Carton Size (mm)	745X240X280	1215X240X280	1515X240X280
Qty/CTN	9	9	6
N.W.(KG)	13	16.6	14.8
G.W.(KG)	13.7	18.1	16.2

Shenzhen ERS Technology

Factory Add: C209, Baohuasen International Center, Qianjin Second Road, Xixiang Town, Bao'an District, Shenzhen, China
Warehouse Add: 57 Tarnard Dr, Braeside VIC 3195

Tel: 048 470 3010

Email: info@erstech.com.au



IPART
Independent Pricing and Regulatory Tribunal
New South Wales



LM-80 TM 21 LM 79
ISTMT LCP



Victorian
Energy
Upgrades



ESSENTIAL SERVICES COMMISSION

LED MANUAL INSTRUCTION



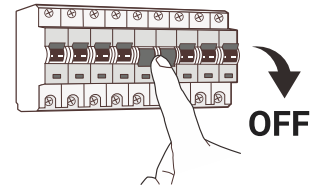
Safety Notice:

- ① Installation should be done by registered electricians.
- ② Before replacing the driver, please switch off the power supply and wait until it cools down completely.
- ③ Never touch the working luminaire
- ④ In any case of malfunction, switch off the power supply immediately, and do not try to repair it yourself.
- ⑤ Repairment should only be done by registered electricians or official service agent.

Include

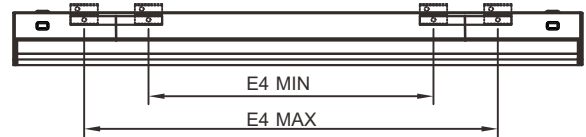
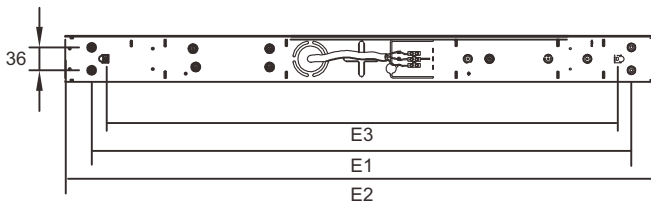


Not Include



WARNING

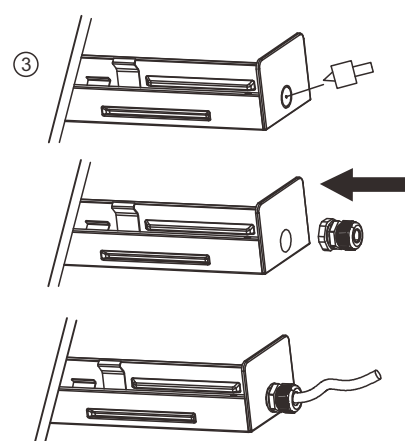
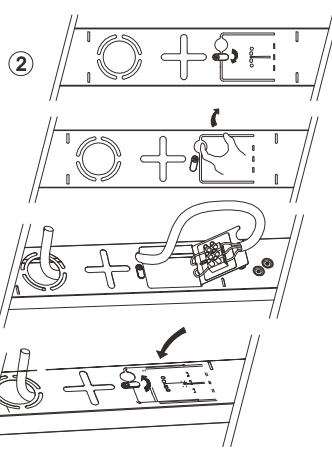
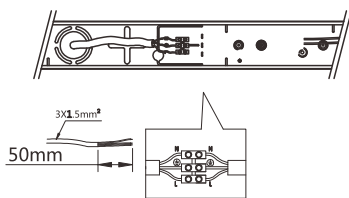
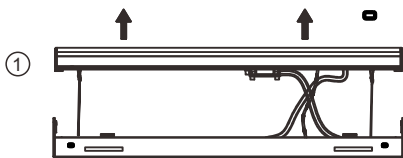
- A** Switch off the power supply before installation



Product Size	E1(mm)	E2(mm)	E3(mm)	E4(mm)Min	E4(mm)Max
700x83x72mm	493	700	638	270	400
1170x83x72mm	693	1170	1107	680	870
1470x83x72mm	1263	1470	1407	980	1180

B

C



Shenzhen ERS Technology

Factory Add: C209, Baohuasen International Center, Qianjin Second Road, Xixiang Town, Bao'an District, Shenzhen, China
Warehouse Add: 57 Tarnard Dr, Braeside VIC 3195

Tel: 048 470 3010

Email: info@erstech.com.au



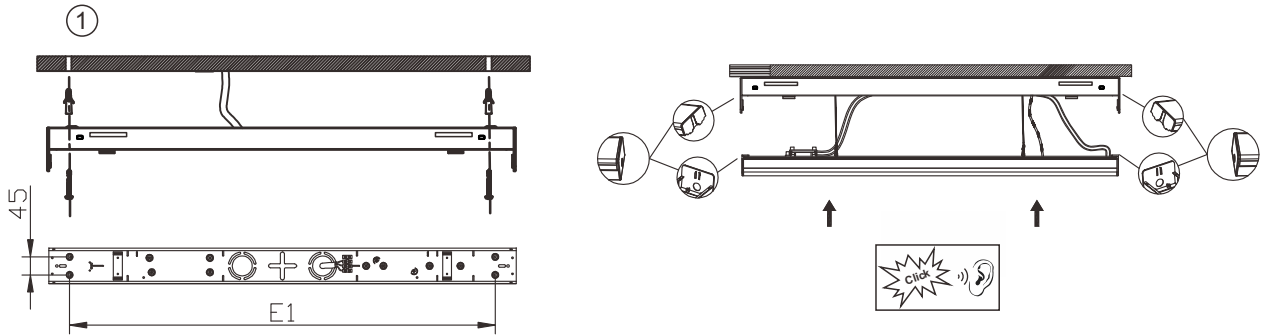
Victorian Energy Upgrades



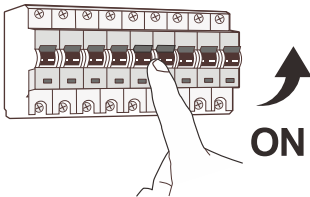
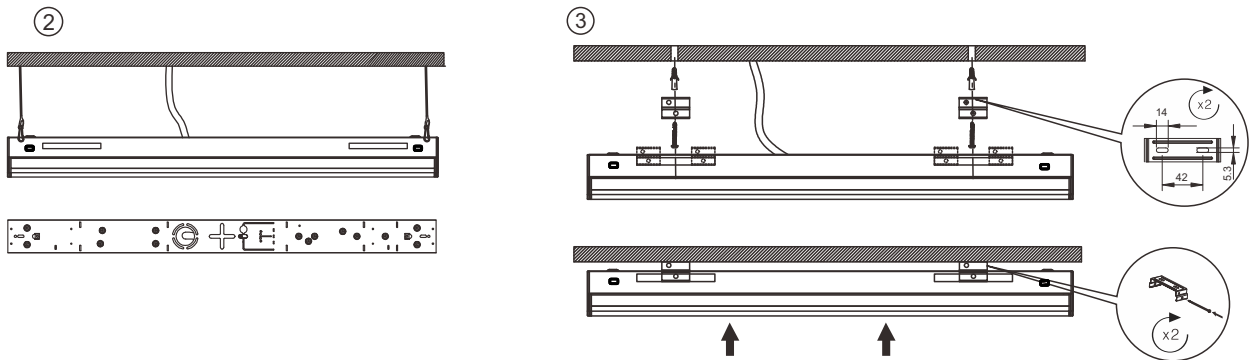
LM-80 TM 21 LM 79
ISTMT LCP



D

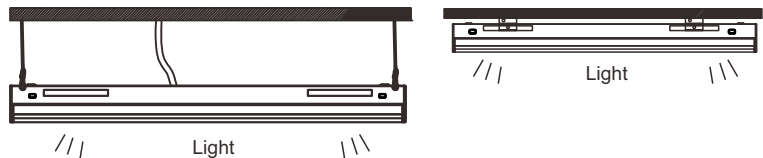


E



! WARNING

Switch on the power supply before installation



F

①

②

Shenzhen ERS Technology

Factory Add: C209, Baohuasen International Center, Qianjin Second Road, Xixiang Town, Bao'an District, Shenzhen, China
 Warehouse Add: 57 Tarnard Dr, Braeside VIC 3195

Tel: 048 470 3010
 Email: info@erstech.com.au



IPART
 Independent Pricing and Regulatory Tribunal
 New South Wales



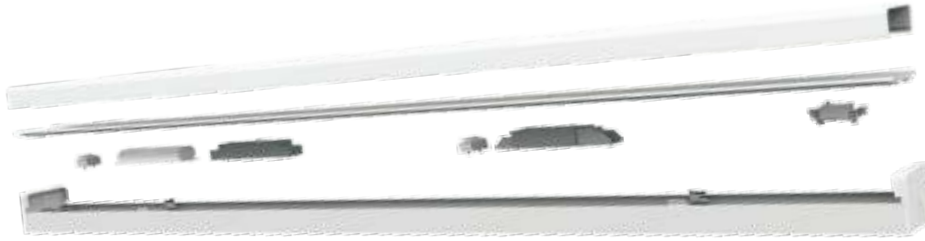
Victorian Energy Upgrades

3 year warranty

LM-80 TM 21 LM 79
ISTMT LCP



DETAILS



Light: ON/OFF function of the lamp

Reset • Test

Light Sensor

ON OFF ON OFF

Power

100% 80% 50% 30%

Brightness

Hold time

10s 1min 5min 30min

Stand-by dimming level

80% 50% 30% 0%

Stand-by dimming level

Daylight threshold Range

Disable 50Lux 100% 75%

Daylight threshold

Detection Range

ERS tech

Sensor: ON/OFF function of the Sensor

Shenzhen ERS Technology

Factory Add: C209, Baohuasen International Center, Qianjin Second Road, Xixiang Town, Bao'an District, Shenzhen, China
 Warehouse Add: 57 Tarnard Dr, Braeside VIC 3195

Tel: 048 470 3010
 Email: info@erstech.com.au



IPART
 Independent Pricing and Regulatory Tribunal
 New South Wales



LM-80 TM 21 LM 79
 ISTMT LCP



Victorian Energy Upgrades

