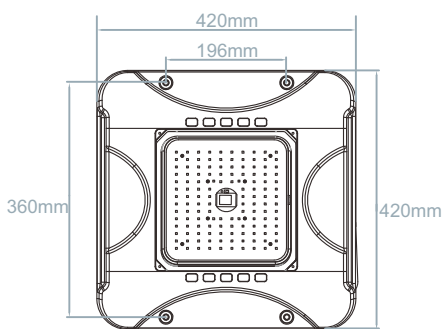
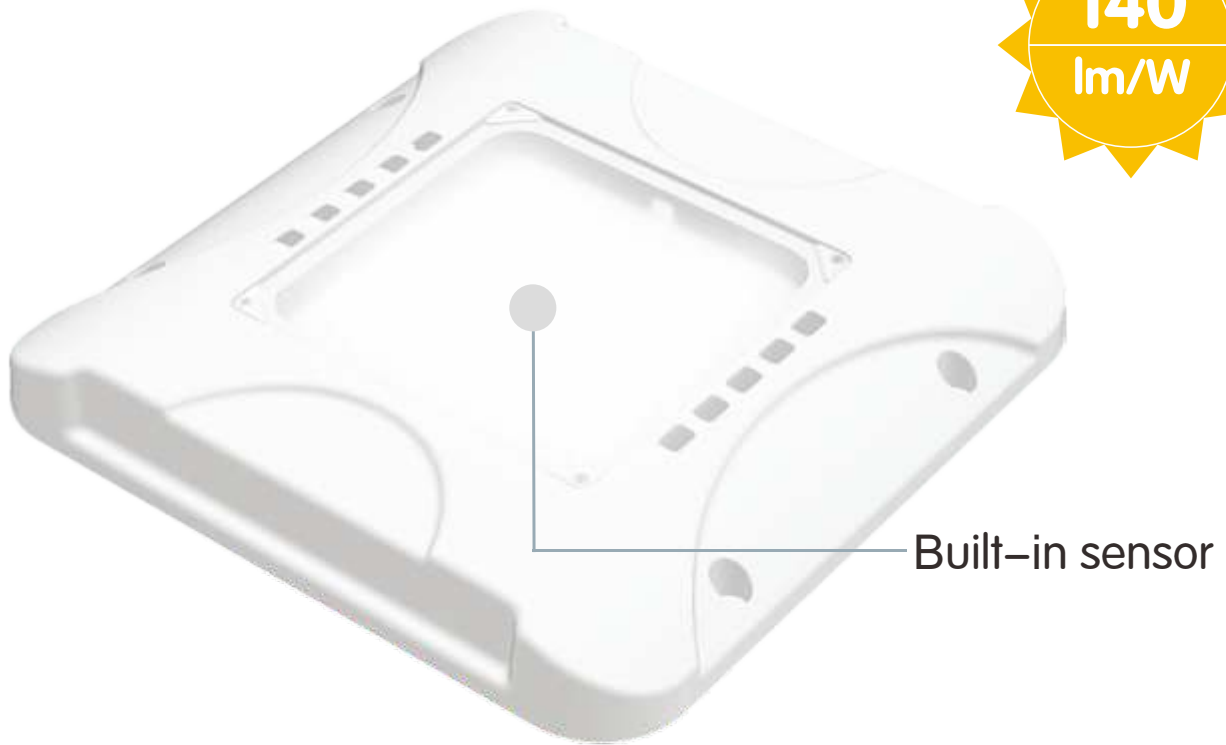
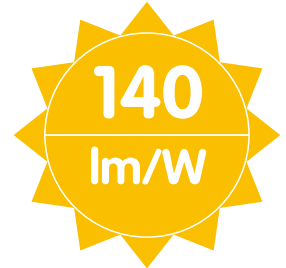
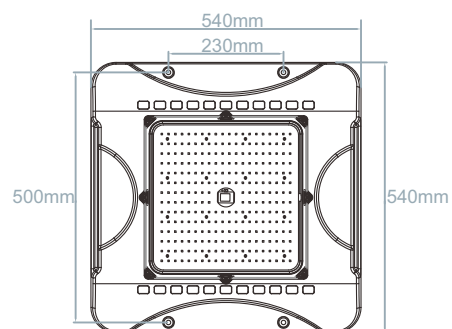


LED Canopy Light A | 100W



60W 75W 100W 120W 150W



200W 240W



Shenzhen ERS Technology

Factory Add: C209, Baohuasen International Center, Qianjin Second Road, Xixiang Town, Bao'an District, Shenzhen, China
Warehouse Add: 57 Tarnard Dr, Braeside VIC 3195

Tel: 048 470 3010
Email: info@erstech.com.au



IPART
Independent Pricing and Regulatory Tribunal
New South Wales



LM-80 TM 21 LM 79
ISTMT LCP



Victorian Energy Upgrades



APPLICATION

Suitable for food processing and parking areas,Service station canopies, Car park, Retail areas, Shopping malls and Manufacturing facilities.



SPECIFICATIONS

Item No.	ERS-C100W-A
Product Size (mm)	420X420X67
Input Voltage	AC220-240V,50Hz
Power	100W
LED Type	Lumileds 3030
Input Driver	Sosen / Meanwell
Lumen(± 10%)	14000lm
CCT	2700-6500K
Sensor	Daylight & Microwave Motion Sensor
Beam Angle	120°
CRI	Ra>80
Power Supply Efficiency	>92%
LED Lumious Efficiency	140lm/w
Power Factor (PF)	> 0.9
Total Harmonic Distortion (THD)	≤15%
IP Rating	IP 65
Certificate	C-TICK,SAA,CE,CB
Material	AL

Shenzhen ERS Technology

Factory Add: C209, Baohuasen International Center, Qianjin Second Road, Xixiang Town, Bao'an District, Shenzhen, China
Warehouse Add: 57 Tarnard Dr, Braeside VIC 3195

Tel: 048 470 3010
Email: info@erstech.com.au



IPART
Independent Pricing and Regulatory Tribunal
New South Wales



Victorian
Energy
Upgrades



LM-80 TM 21 LM 79
ISTMT LCP



REMOTE CONTROLLER

Factory setting: When turn on the Canopy light, sensor function is closed;
 if you need to open the sensor, please use our remote controller as below.
 Sensor default setting: daylight (OFF), motion(2 seconds), hold time (2 seconds),
 standby brightness 0%.

D: Press one time, Daylight Sensor working only.

On: Press one time, work with default setting.

Sc1: Hold on 30 minutes and then dimming down to its 50% luminosity. Daylight Sensor OFF.

Sc2: Hold on 10 minutes and then dimming down to its 20% luminosity. Daylight Sensor OFF.

M: Press one time, Motion Sensor working only.

Record the current environment lux.

Sc3: Hold on 30 seconds and then turn OFF. Daylight Sensor OFF.

The remote controller features the following buttons and sections:

- Detection Range:** 100%, 75%, 50%, 20%
- ON/OFF:** D, ON, OFF, M
- On Lux:** 5 Lux, 25 Lux, 50 Lux, Eye icon
- Standby brightness:** 100 Lux, 300 Lux, 600 Lux, Disable
- Hold time:** 2 Sec, 30 Sec, 60 Sec, 2 Min
- Standby brightness (continued):** 5 Min, 15 Min, 30 Min, 60 Min
- Standby brightness (continued):** 0%, 20%, 30%, 40%
- Standby brightness (continued):** 50%, 60%, 80%, 100%
- Scene:** Sc1, Sc2, Sc3, Refresh icon

Shenzhen ERS Technology

Factory Add: C209, Baohuasen International Center, Qianjin Second Road, Xixiang Town, Bao'an District, Shenzhen, China
 Warehouse Add: 57 Tarnard Dr, Braeside VIC 3195

Tel: 048 470 3010
 Email: info@erstech.com.au



IPART
 Independent Pricing and Regulatory Tribunal
 New South Wales



LM-80 TM 21 LM 79
 ISTMT LCP



Victorian Energy Upgrades



FUNCTION DEMO-ON/OFF CONTROL



With insufficient daylight, when motion detected, light remains OFF.



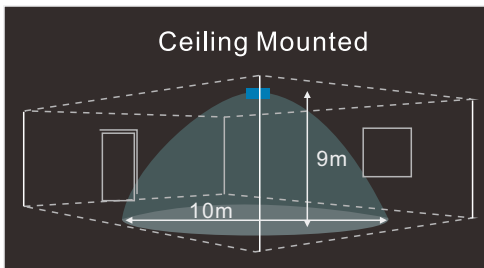
With insufficient daylight, when motion detected, light ON.



After the last detection and the present hold time elapsed, light OFF.

SENSOR SPECIFICATION

Detection Patterns



Technical data

Operating voltage	12VDC ± 2v
Stand-by power	< 1W
Operating temperature	-20°C ~ +60°C
Detection area	100%/75%/50%/20%
Hold time	2Sec/30Sec/60Sec/2Min/5Min/15Min/30Min/60Min
Daylight threshold	5Lux/25Lux/50Lux/100Lux/300Lux/600Lux/Disable
Microwave power	< 1mW
Microwave frequency	5.8GHz ± 75MHz
Mounting height	Max.9m(ceiling mounted)
Detection range	Diameter 10m (ceiling mounted)
Type	Built-in

Note: Sensor setting please refer to remote control

Shenzhen ERS Technology

Factory Add: C209, Baohuasen International Center, Qianjin Second Road, Xixiang Town, Bao'an District, Shenzhen, China
Warehouse Add: 57 Tarnard Dr, Braeside VIC 3195

Tel: 048 470 3010

Email: info@erstech.com.au



IPART
Independent Pricing and Regulatory Tribunal
New South Wales



Victorian Energy Upgrades



LM-80 TM 21 LM 79
ISTMT LCP



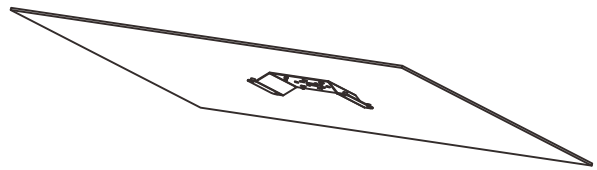
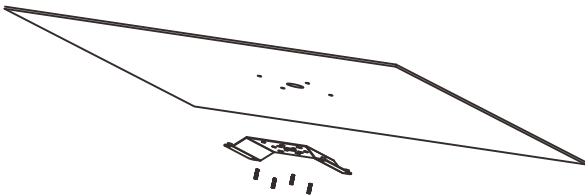
INSTALLATION INSTRUCTION

*Warning: Do cut off electric source in order to avoid electrical shock and endanger life—safety before installation,

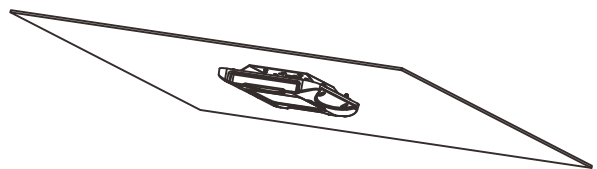
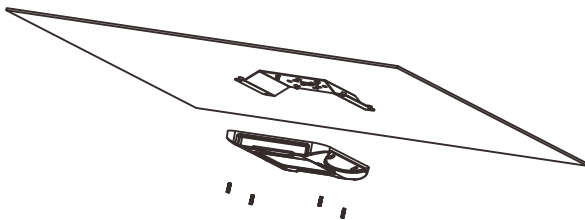
*Install height from floor higher than 1.2m.

Make sure that the ceiling can support the weight of the lamp.

1. Fix the bracket to ceiling.



2. Fix the canopy to bracket.



Shenzhen ERS Technology

Factory Add: C209, Baohuasen International Center, Qianjin Second Road, Xixiang Town, Bao'an District, Shenzhen, China

Warehouse Add: 57 Tarnard Dr, Braeside VIC 3195

Tel: 048 470 3010

Email: info@erstech.com.au



IPART
Independent Pricing and Regulatory Tribunal
New South Wales



LM-80 TM 21 LM 79
ISTMT LCP



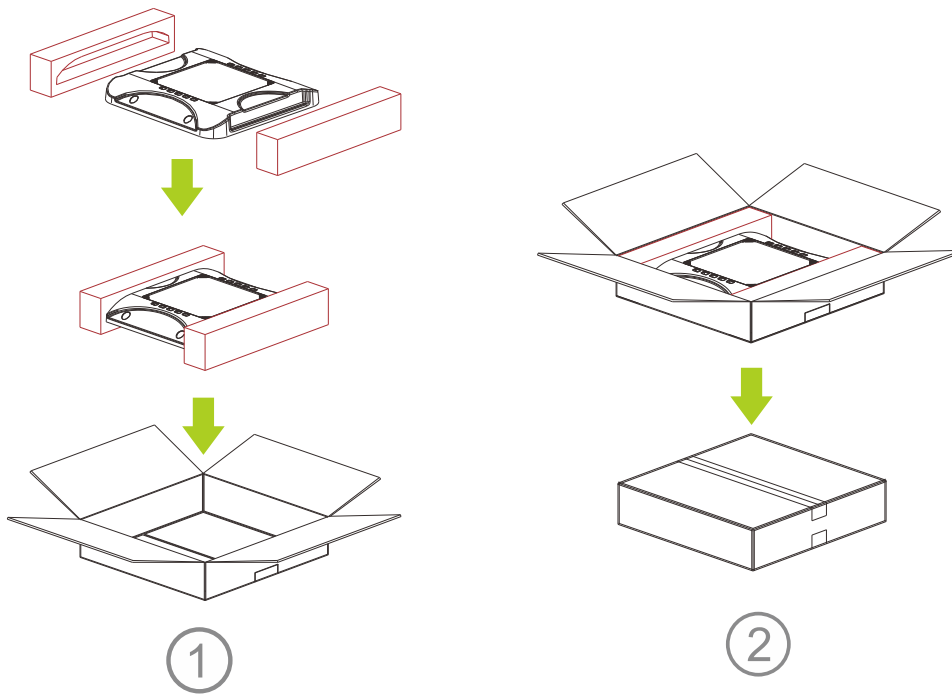
Victorian
Energy
Upgrades



ESSENTIAL SERVICES COMMISSION

PACKING

Item code	ERS-C100W-A
Carton Size (mm)	440X440X88
Qty/CTN	1
N.W (KG)	4.5
G.W (KG)	5.3



Shenzhen ERS Technology

Factory Add: C209, Baohuasen International Center, Qianjin Second Road, Xixiang Town, Bao'an District, Shenzhen, China
 Warehouse Add: 57 Tarnard Dr, Braeside VIC 3195

Tel: 048 470 3010
 Email: info@erstech.com.au



IPART
 Independent Pricing and Regulatory Tribunal
 New South Wales



LM-80 TM 21 LM 79
 ISTMT LCP



Victorian Energy Upgrades

