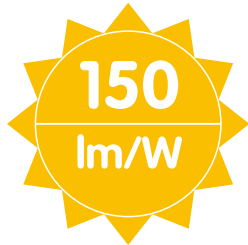


LED Batten Light with Sensor | 48W



Motion+daylight sensor
Detection area: 2.5-4 metres
Hold on time: 10s/1min/5min/30min
With remote control

Shenzhen ERS Technology

Factory Add: C209, Baohuasen International Center, Qianjin Second Road, Xixiang Town, Bao'an District, Shenzhen, China

Warehouse Add: 57 Tarnard Dr, Braeside VIC 3195

Tel: 048 470 3010

Email: info@erstech.com.au



IPART
Independent Pricing and Regulatory Tribunal
New South Wales



LM-80 TM 21 LM 79
ISTMT LCP



Victorian
Energy
Upgrades



APPLICATION

Indoor lighting, with IP42, it can be used at super market, family mart, corridor, parking lots, factory, warehouse, school, hospital, public building, metro station, train station, airport terminal and etc



SPECIFICATIONS

Item No.	ERS-B48W150S
Product Size (mm)	1470X90X67
Power	48W
Sensor	PWM. Microwave Motion Sensor, Sensing distance 2.5-4m
Input Voltage	AC220-240V, 50Hz
Efficiency	150lm/w
Driver Brand	ERS Element non-isolated driver 3 years warranty
LED Type	SMD 2835
CCT	2700-6500K
CRI	Ra > 80
Power Factor	> 0.9
Beam Angle	120°
IP Rating	IP 42
Warranty	3 years
Working Temp	-20~50°C
Lamp Body Material	PC+SPCC

Shenzhen ERS Technology

Factory Add: C209, Baohuasen International Center, Qianjin Second Road, Xixiang Town, Bao'an District, Shenzhen, China
 Warehouse Add: 57 Tarnard Dr, Braeside VIC 3195

Tel: 048 470 3010

Email: info@erstech.com.au



Victorian Energy Upgrades



LM-80 TM 21 LM 79
 ISTMT LCP



LED MANUAL INSTRUCTION



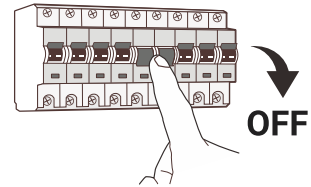
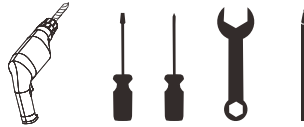
Safety Notice:

- ① Installation should be done by registered electricians.
- ② Before replacing the driver, please switch off the power supply and wait until it cools down completely.
- ③ Never touch the working luminaire
- ④ In any case of malfunction, switch off the power supply immediately, and do not try to repair it yourself.
- ⑤ Repairment should only be done by registered electricians or official service agent.

Include

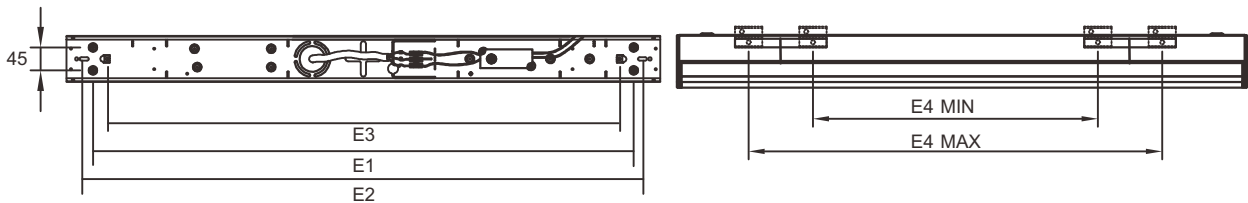


Not Include



WARNING

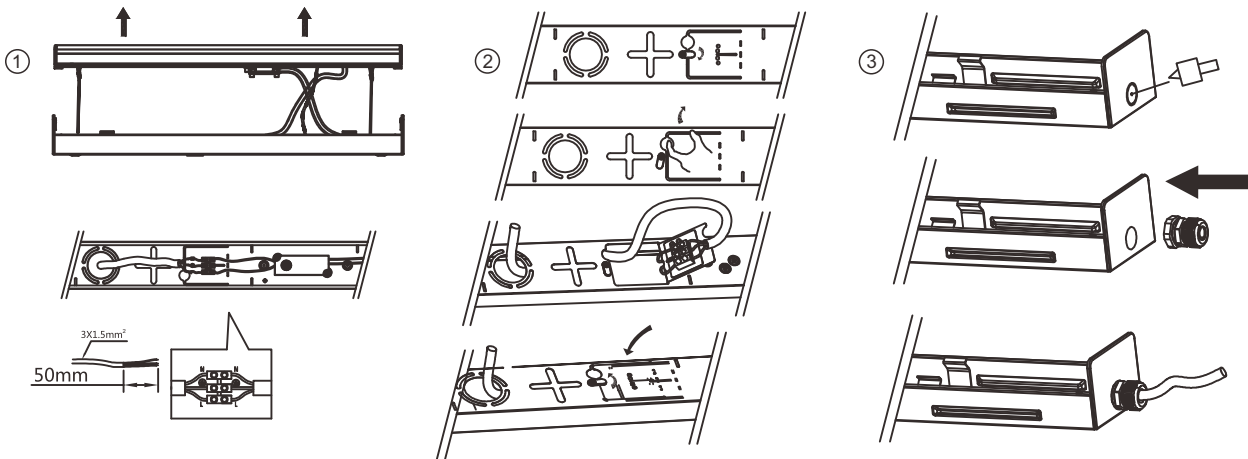
- A** Switch off the power supply before installation



Product Size	E1(mm)	E2(mm)	E3(mm)	E4(mm)Min	E4(mm)Max
700x90x67mm	626	650	560	445	515
1170x90x67mm	1060	1124	1000	915	985
1470x90x67mm	1270	1380	1210	1215	1285

B

C



Shenzhen ERS Technology

Factory Add: C209, Baohuasen International Center, Qianjin Second Road, Xixiang Town, Bao'an District, Shenzhen, China
Warehouse Add: 57 Tarnard Dr, Braeside VIC 3195

Tel: 048 470 3010

Email: info@erstech.com.au



IPART
Independent Pricing and Regulatory Tribunal
New South Wales



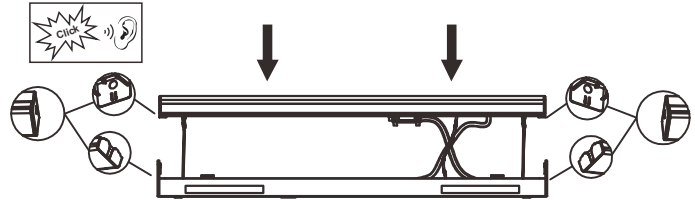
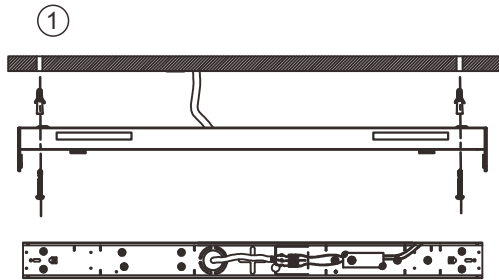
Victorian
Energy
Upgrades



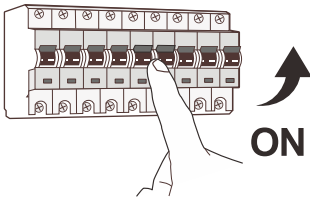
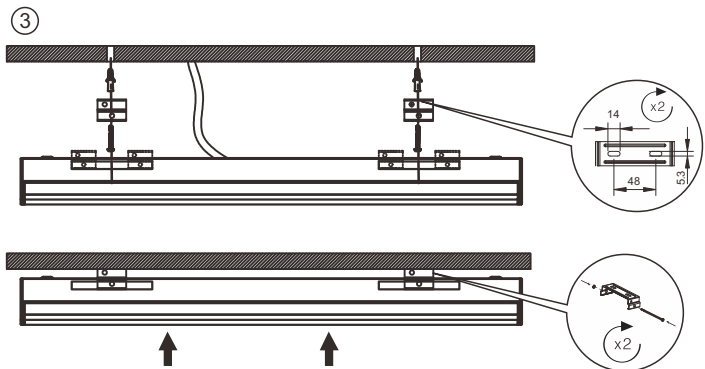
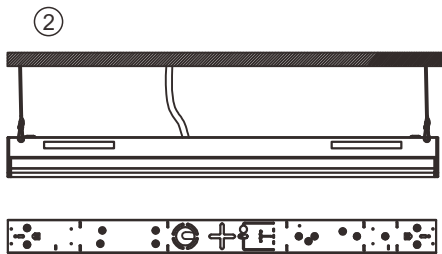
LM-80 TM 21 LM 79
ISTMT LCP



D

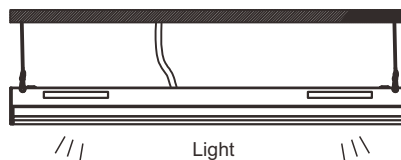


E

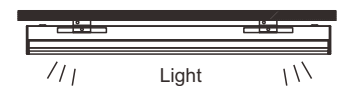


! WARNING

Switch on the power supply before installation



F ①



②

Shenzhen ERS Technology

Factory Add: C209, Baohuasen International Center, Qianjin Second Road, Xixiang Town, Bao'an District, Shenzhen, China
Warehouse Add: 57 Tarnard Dr, Braeside VIC 3195

Tel: 048 470 3010
Email: info@erstech.com.au



IPART
Independent Pricing and Regulatory Tribunal
New South Wales



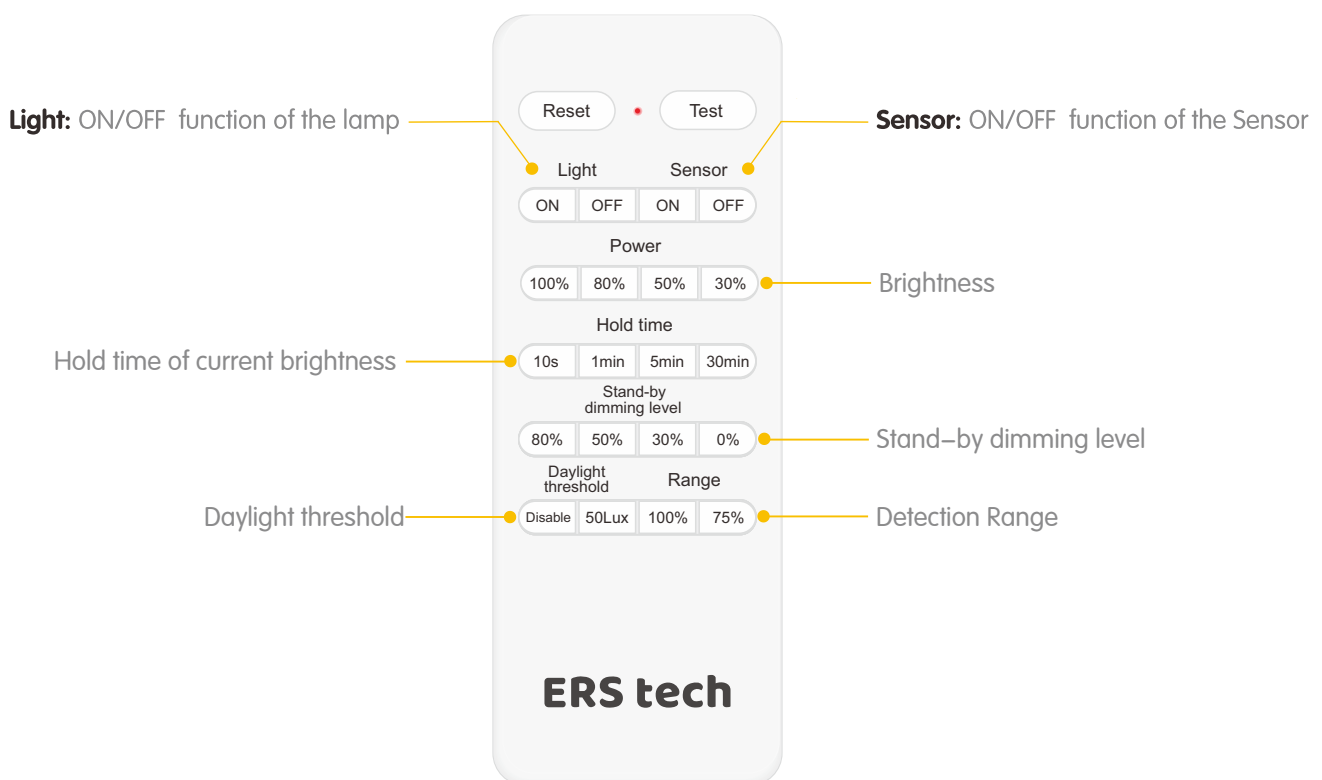
Victorian Energy Upgrades



LM-80 TM 21 LM 79
ISTMT LCP



DETAILS



Shenzhen ERS Technology

Factory Add: C209, Baohuasen International Center, Qianjin Second Road, Xixiang Town, Bao'an District, Shenzhen, China
 Warehouse Add: 57 Tarnard Dr, Braeside VIC 3195

Tel: 048 470 3010
 Email: info@erstech.com.au



IPART
 Independent Pricing and Regulatory Tribunal
 New South Wales



LM-80 TM 21 LM 79
 ISTMT LCP



Victorian Energy Upgrades



PACKING

N.W.(KG)	G.W.(KG)	CARTON SIZE(mm)	QTN/CTN
14	15.2	1490X310X160	6

Shenzhen ERS Technology

Factory Add: C209, Baohuasen International Center, Qianjin Second Road, Xixiang Town, Bao'an District, Shenzhen, China

Warehouse Add: 57 Tarnard Dr, Braeside VIC 3195

Tel: 048 470 3010

Email: info@erstech.com.au



IPART
Independent Pricing and Regulatory Tribunal
New South Wales



LM-80 TM 21 LM 79
ISTMT LCP



Victorian Energy Upgrades



ESSENTIAL SERVICES COMMISSION