

## LED Batten Light with Sensor | 12W



Motion+daylight sensor  
Detection area: 2.5-4 metres  
Hold on time: 10s/1min/5min/30min  
With remote control

### Shenzhen ERS Technology

Factory Add: C209, Baohuasen International Center, Qianjin Second Road, Xixiang Town, Bao'an District, Shenzhen, China  
Warehouse Add: 57 Tarnard Dr, Braeside VIC 3195

Tel: 048 470 3010  
Email: [info@erstech.com.au](mailto:info@erstech.com.au)



IPART  
Independent Pricing and Regulatory Tribunal  
New South Wales



LM-80 TM 21 LM 79  
ISTMT LCP



Victorian  
Energy  
Upgrades



## APPLICATION

Indoor lighting,with IP42, it can be used at supper market, family mart, corridor, parking lots, factory, warehouse, school, hospital, public building, metro station, train station, airport terminal and etc



## SPECIFICATIONS

Item No.	ERS-B12W60S
Product Size (mm)	700X90X67
Power	12W
Input Voltage	AC220-240V,50Hz
Efficiency	150lm/w
Sensor	Daylight & Microwave Motion Sensor, Sensing distance 2.5-4m
Dimmable	PWM
Driver Brand	ERS Element non-isolated driver 3 years warranty
LED Type	SMD 2835
CCT	2700-6500K
CRI	Ra > 80
Power Factor	> 0.9
Beam Angle	120°
IP Rating	IP 42
Warranty	3 years
Working Temp	-20~50°C
Lamp Body Material	PC+SPCC

## Shenzhen ERS Technology

Factory Add: C209, Baohuasen International Center, Qianjin Second Road, Xixiang Town, Bao'an District, Shenzhen, China  
Warehouse Add: 57 Tarnard Dr, Braeside VIC 3195

Tel: 048 470 3010

Email: info@erstech.com.au



IPART  
Independent Pricing and Regulatory Tribunal  
New South Wales



Victorian  
Energy  
Upgrades



LM-80 TM 21 LM 79  
ISTMT LCP



## LED MANUAL INSTRUCTION



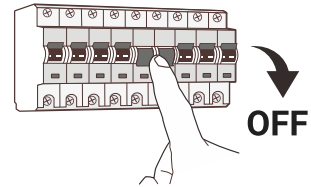
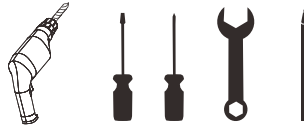
### Safety Notice:

- ① Installation should be done by registered electricians.
- ② Before replacing the driver, please switch off the power supply and wait until it cools down completely.
- ③ Never touch the working luminaire
- ④ In any case of malfunction, switch off the power supply immediately, and do not try to repair it yourself.
- ⑤ Repairment should only be done by registered electricians or official service agent.

### Include

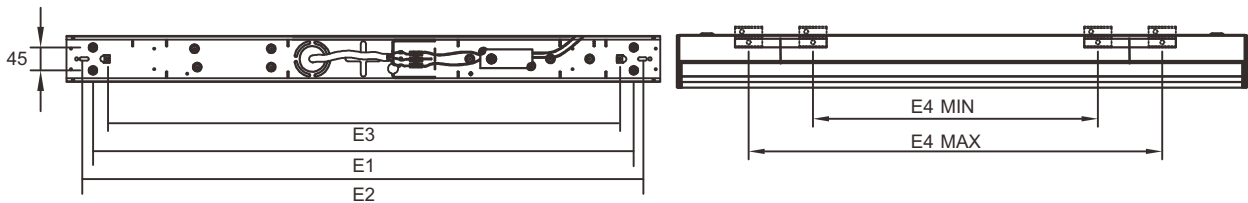


### Not Include



### WARNING

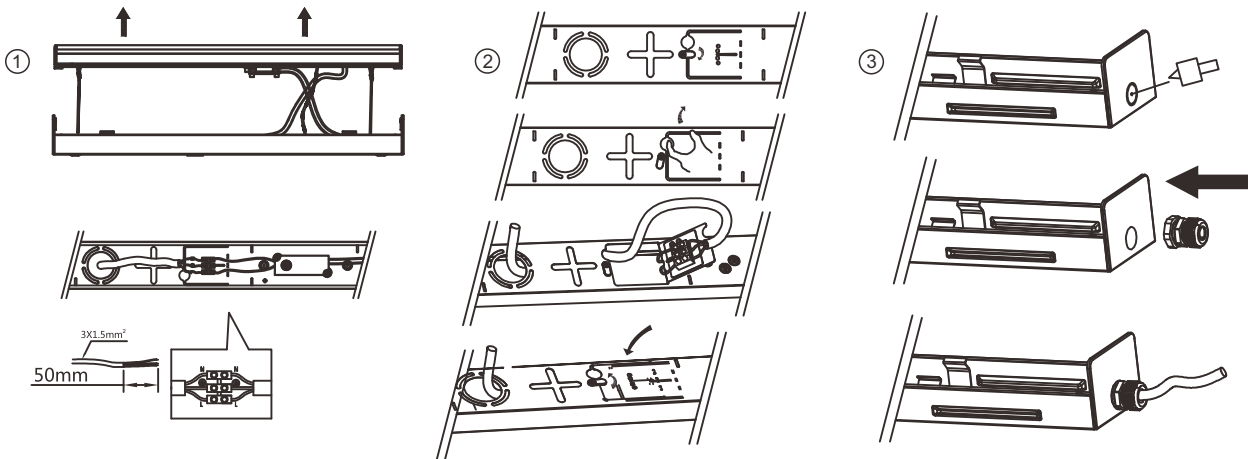
- A** Switch off the power supply before installation



Product Size	E1(mm)	E2(mm)	E3(mm)	E4(mm)Min	E4(mm)Max
700x90x67mm	626	650	560	445	515
1170x90x67mm	1060	1124	1000	915	985
1470x90x67mm	1270	1380	1210	1215	1285

**B**

**C**



## Shenzhen ERS Technology

Factory Add: C209, Baohuasen International Center, Qianjin Second Road, Xixiang Town, Bao'an District, Shenzhen, China  
Warehouse Add: 57 Tarnard Dr, Braeside VIC 3195

Tel: 048 470 3010

Email: info@erstech.com.au



IPART  
Independent Pricing and Regulatory Tribunal  
New South Wales



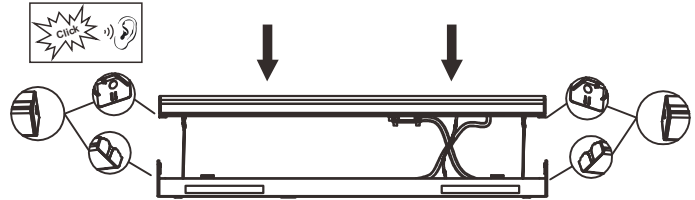
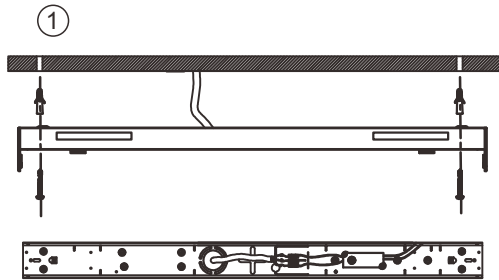
Victorian Energy Upgrades



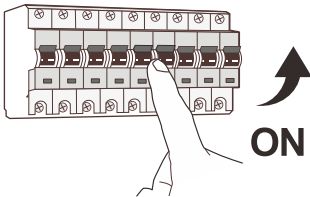
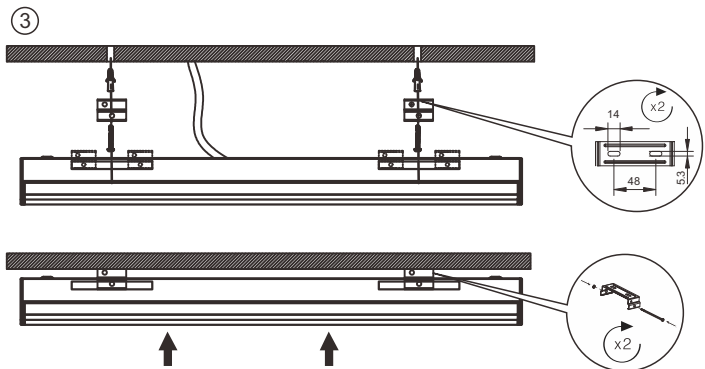
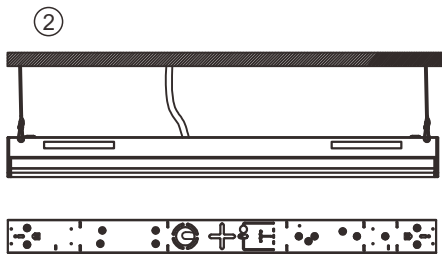
LM-80 TM 21 LM 79  
ISTMT LCP



**D**

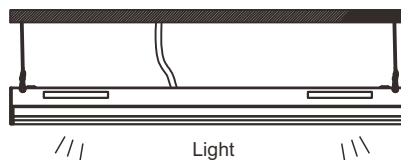


**E**

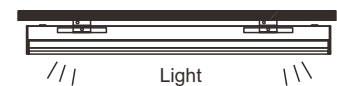


**! WARNING**

Switch on the power supply before installation



**F** ①



②

**Shenzhen ERS Technology**

Factory Add: C209, Baohuasen International Center, Qianjin Second Road, Xixiang Town, Bao'an District, Shenzhen, China  
Warehouse Add: 57 Tarnard Dr, Braeside VIC 3195

Tel: 048 470 3010  
Email: info@erstech.com.au



IPART  
Independent Pricing and Regulatory Tribunal  
New South Wales



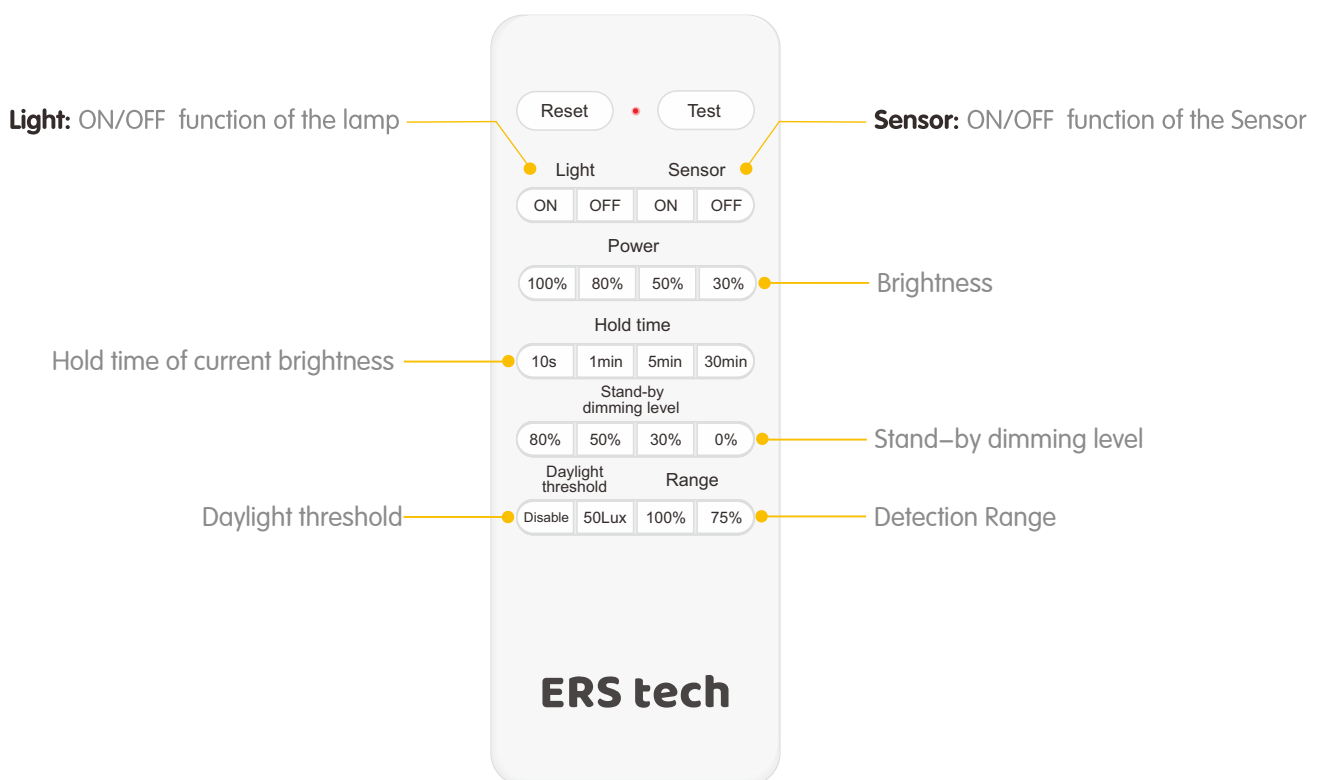
Victorian Energy Upgrades



LM-80 TM 21 LM 79  
ISTMT LCP



## DETAILS



## Shenzhen ERS Technology

Factory Add: C209, Baohuasen International Center, Qianjin Second Road, Xixiang Town, Bao'an District, Shenzhen, China  
 Warehouse Add: 57 Tarnard Dr, Braeside VIC 3195

Tel: 048 470 3010  
 Email: [info@erstech.com.au](mailto:info@erstech.com.au)



IPART  
 Independent Pricing and Regulatory Tribunal  
 New South Wales



Victorian Energy Upgrades



LM-80 TM 21 LM 79  
 ISTMT LCP



## PACKING

N.W.(KG)	G.W.(KG)	CARTON SIZE(mm)	QTN/CTN
11	12.5	720X310X220	9

## Shenzhen ERS Technology

Factory Add: C209, Baohuasen International Center, Qianjin Second Road, Xixiang Town, Bao'an District, Shenzhen, China

Warehouse Add: 57 Tarnard Dr, Braeside VIC 3195

Tel: 048 470 3010

Email: info@erstech.com.au



**IPART**  
Independent Pricing and Regulatory Tribunal  
New South Wales



**LM-80 TM 21 LM 79**  
**ISTMT LCP**



**Victorian Energy Upgrades**



**ESSENTIAL SERVICES COMMISSION**