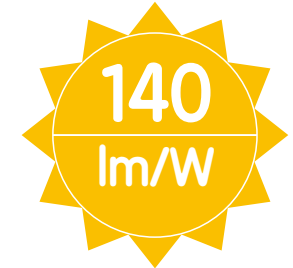


LED Bulb Light | 7W

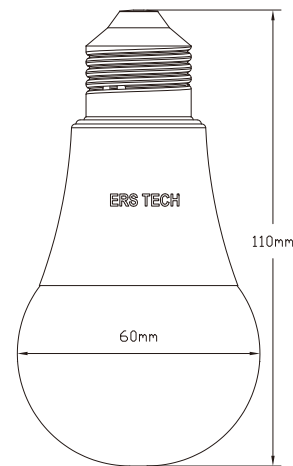
SPECIFICATIONS

Item No.	ERS-7W-E27
Power	7W
Input Voltage	AC220-240V,50Hz
Lumen Efficiency	140lm/w
CCT	2700-6500K
Beam Angle	219°
CRI	Ra>80
Power Factor	PF>0.9
Power Supply Efficiency	>85%
Working Temp	-20 ~ +45 degree centigrade
Store Temp	-30 ~ +65 degree centigrade
Material	AL+PC
Product Size	60*110mm
Lamp Base	E27
Lifespan	25000H



E27

B22D



APPLICATION

LED products have become the best solution for commercial lighting, factories, malls, hospitals, homes, villas, hotels, cafe shop, museum, etc

Shenzhen ERS Technology

Factory Add: C209, Baohuasen International Center, Qianjin Second Road, Xixiang Town, Bao'an District, Shenzhen, China
Warehouse Add: 49 Metrolink Circuit, Campbellfield VIC 3061

Tel: 048 470 3010

Email: info@erstech.com.au



LM-80 TM21 LM79
ISTMT LCP

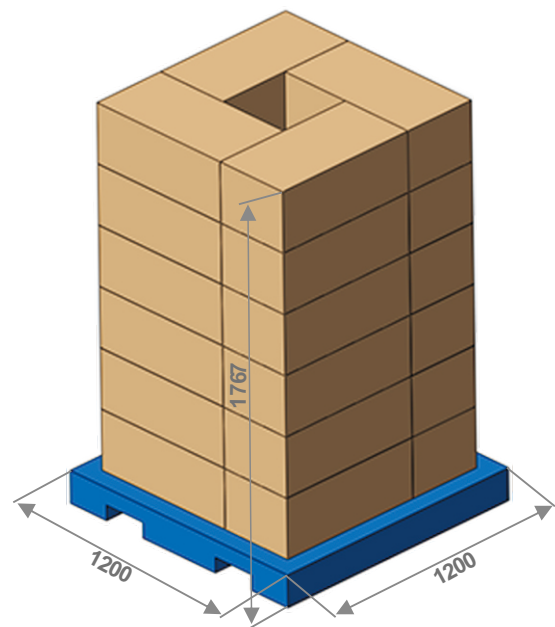
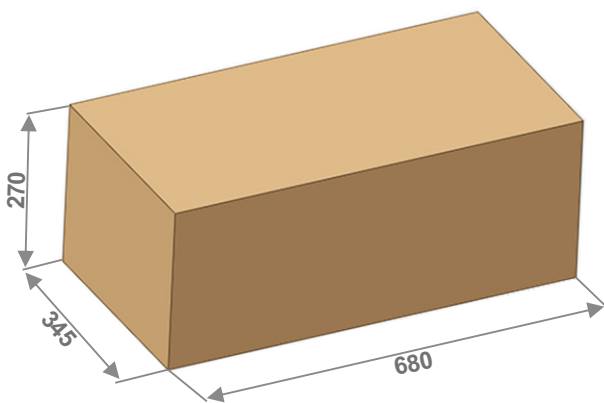


PACKING

Item No.	ERS-7W-E27	ERS-7W-B22
Carton Size (mm)	680X345X270	680X345X270
Qty/CTN	100	100
N.W.(KG)	8	8
G.W.(KG)	9	9

1. Each CTN should stick carton label on both front shipping mark and side shipping mark.
Product parameters stick on white box.
2. Handle gently during carry, No Throwing.
3. Store conditions: moistureproof, dustproof, pressure defense, fall prevention, the acid and alkali substances.
Avoid direct sunlight and dew formation.

Package size



Shenzhen ERS Technology

Factory Add: C209, Baohuasen International Center, Qianjin Second Road, Xixiang Town, Bao'an District, Shenzhen, China
Warehouse Add: 49 Metrolink Circuit, Campbellfield VIC 3061

Tel: 048 470 3010

Email: info@erstech.com.au



Victorian Energy Upgrades

3 year warranty



LM-80 TM21 LM79
ISTMT LCP



INSTALL INSTRUCTION

1. Be sure the power is turned off.
2. Check that the socket is the one written in the label and screw of the lamp in the corresponding socket.
3. Turn on the power, enjoy the lighting.

CAUTION

1. This type of bulb is an indoor lamps (IP 20), not waterproof, do not use outside, in the place with high humidity or near ammable products.
2. If do not use for long time, please keep the items in a dry and clean environment.
3. To prevent damage to the lamp, before connecting, check that the input voltage is the one written in the label.
4. This type of bulb don't have dimming function, connect it to a dimmer may cause malfunctions or failures, for dimming type, please contact our sales department.
5. To prevent accidents or invalidate the warranty in case of failure or malfunction of the product, please do not open and /or replace parts without express authorization of the manufacturer.
6. We reserves the right to make any aesthetic, functional or design modifications to any of its products without prior notice.

Shenzhen ERS Technology

Factory Add: C209, Baohuasen International Center, Qianjin Second Road, Xixiang Town, Bao'an District, Shenzhen, China
Warehouse Add: 49 Metrolink Circuit, Campbellfield VIC 3061

Tel: 048 470 3010

Email: info@erstech.com.au

